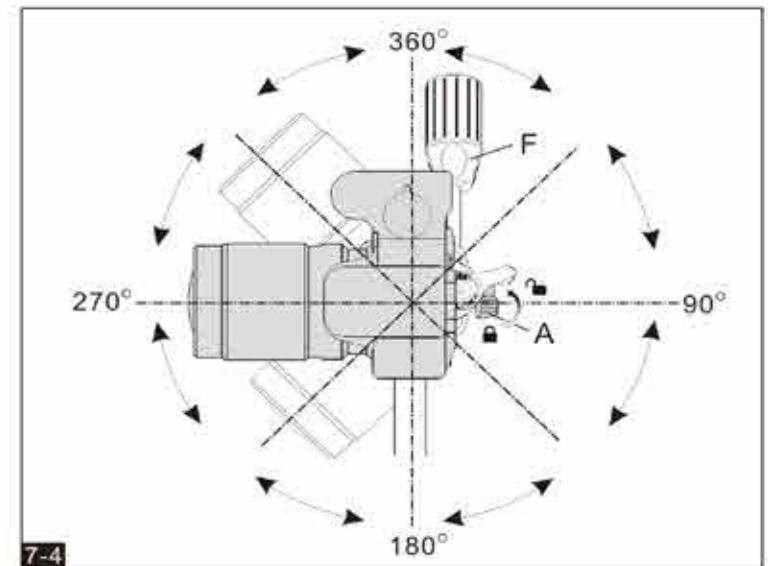
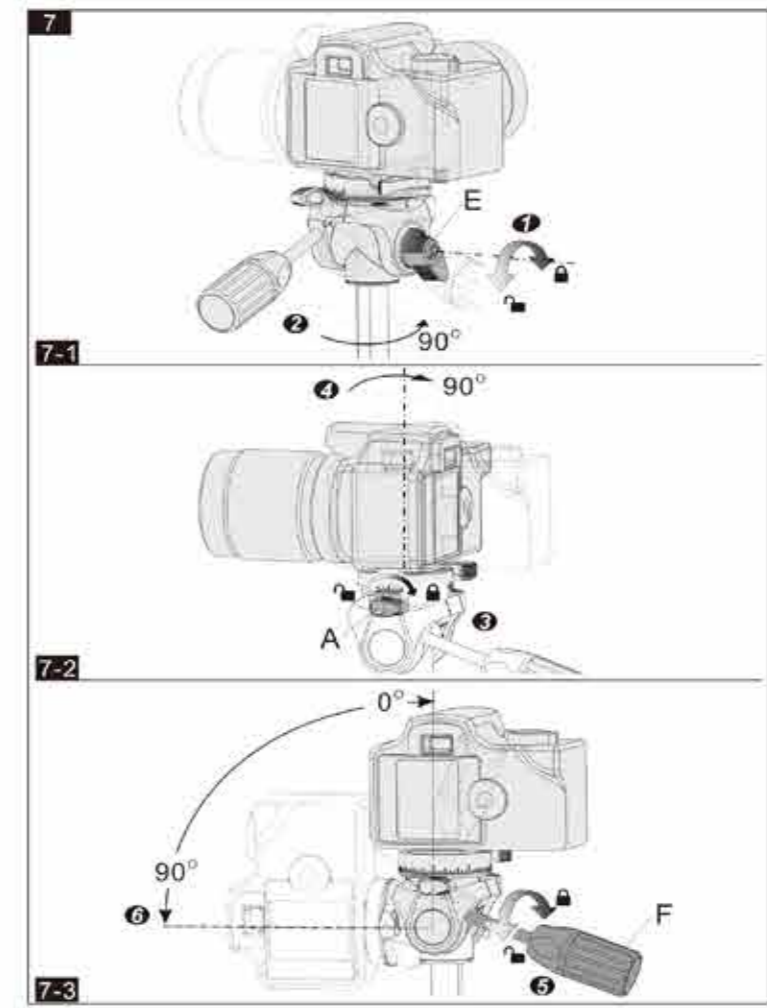
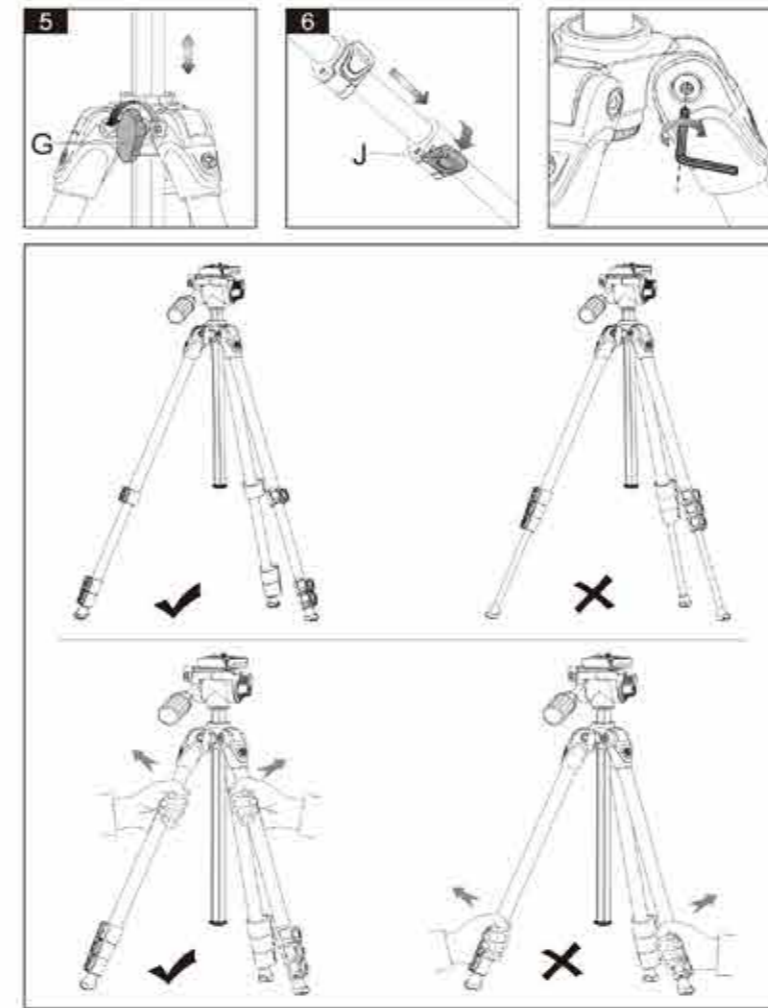
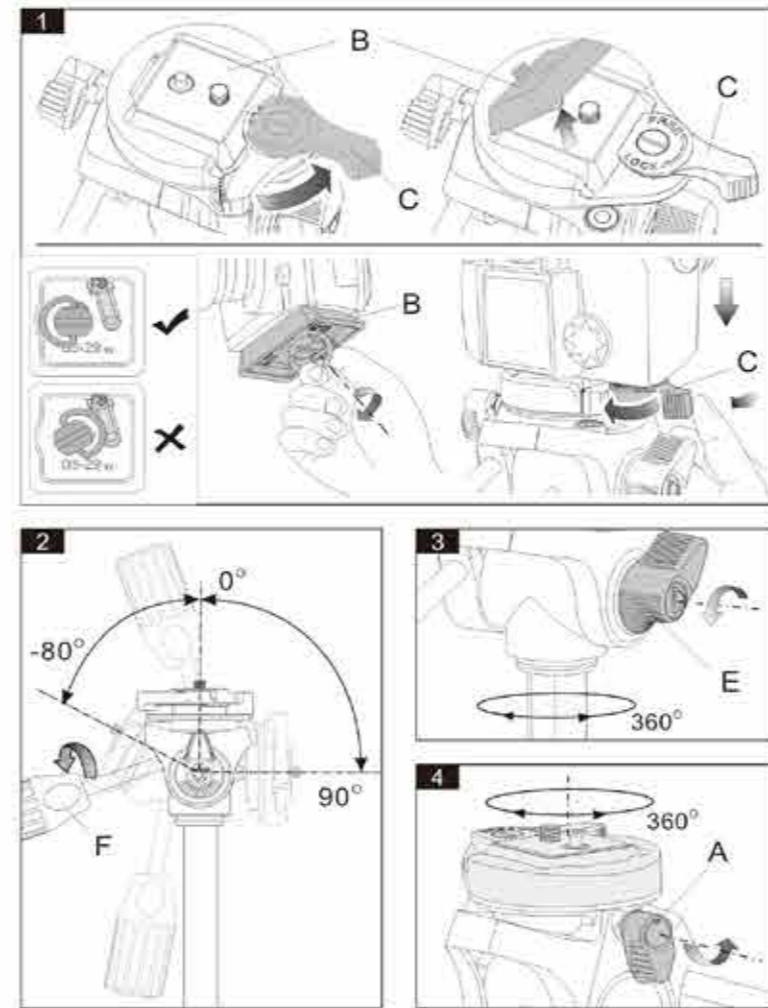
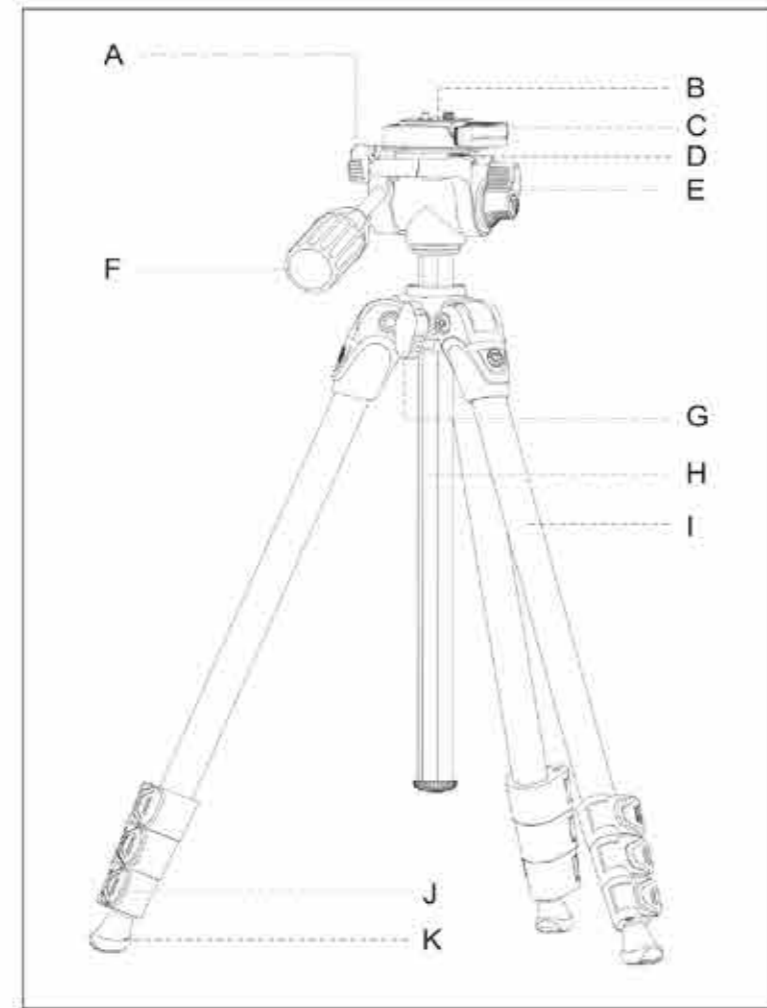


Espod CX AP Series
Aluminum Alloy Tripod with Pan Head
Trépied en alliage d'aluminium avec tête panoramique



English

THANK YOU FOR PURCHASING A VANGUARD PRODUCT.

1: ATTACHING TO CAMERA

Pull the quick shoe lock lever "C" counter clockwise to remove quick shoe "B". Attach your camera safely to quick shoe "B" by screwing into place firmly. Return quick shoe "B" to the head. Please make sure the quick shoe lock lever "C" is in the 'Lock' position after camera is attached.

Attention: The D-ring should not be placed on the spring pin.

2: TILT ADJUSTMENT

Loosen handle "F" in a counter clockwise direction to enable -80°~ +90° movement of the platform. To secure position, tighten handle in a clockwise direction.

3: ROTATION ADJUSTMENT

Loosen knob "E" in a counter clockwise direction to enable 360° movement of the platform.

4: PANORAMIC PHOTOGRAPHY

Before attaching the camera, use the bubble level "D" to make sure the head is level for panoramic function. Turn panoramic knob "A" in a counter clockwise direction to enable 360° movement of the platform for panoramic photography.

5: CENTRAL COLUMN ADJUSTMENT

The central column of the tripod can be elevated to achieve the specific desired height for your equipment.

Turn central column lock knob "G" in a counter clockwise direction to adjust the height of the column as required. To secure position, tighten knob "G" in a clockwise direction.

6: LEGS EXTENSION

Open the tripod legs – To adjust the height of the tripod, each leg has telescopic extensions that can be released by opening leg locks "J".

The leg lock tension can be adjusted by using an allen wrench (allen wrench is not included).

7. PORTRAIT PHOTOGRAPHY

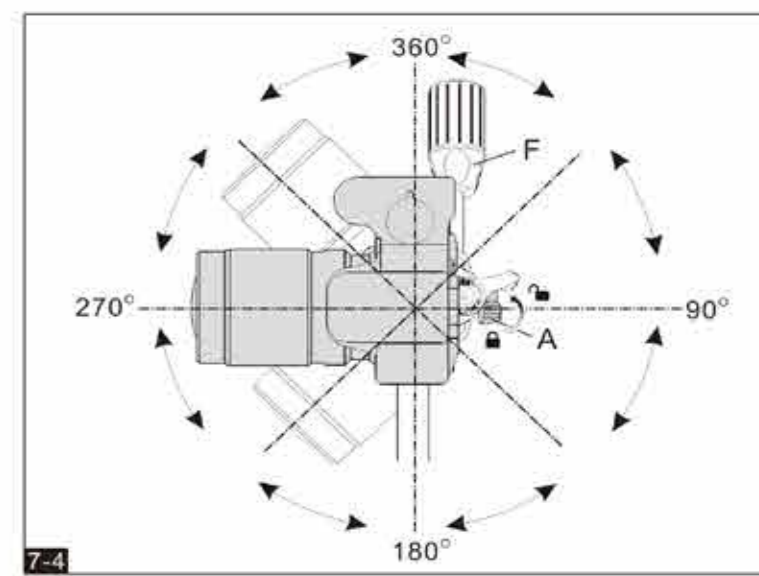
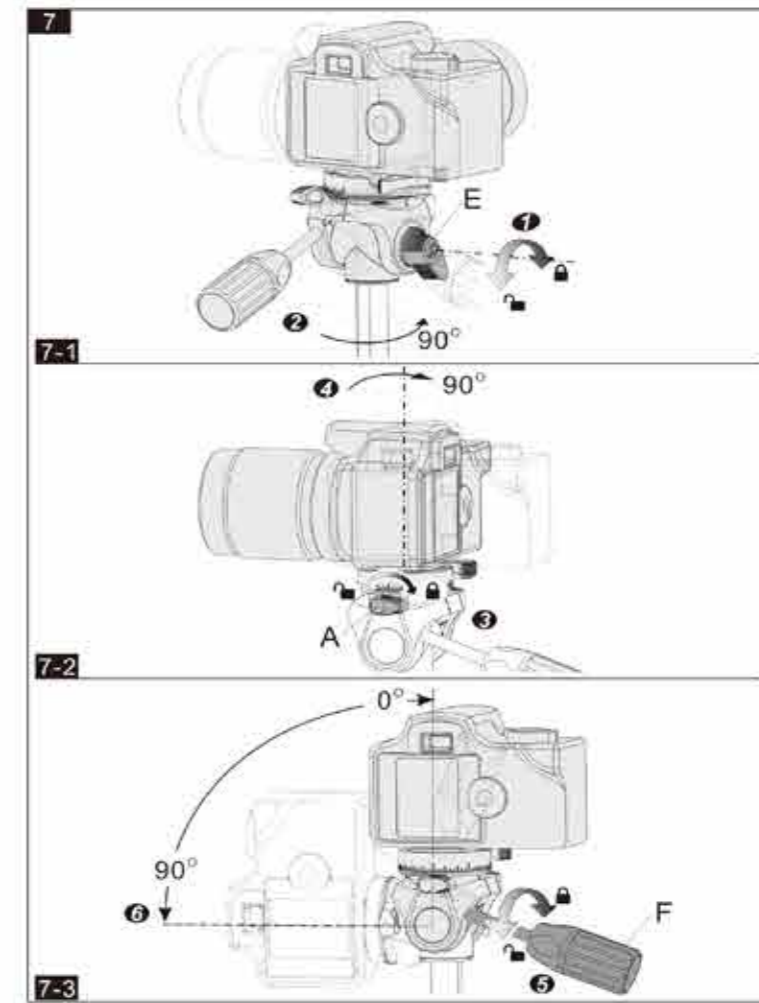
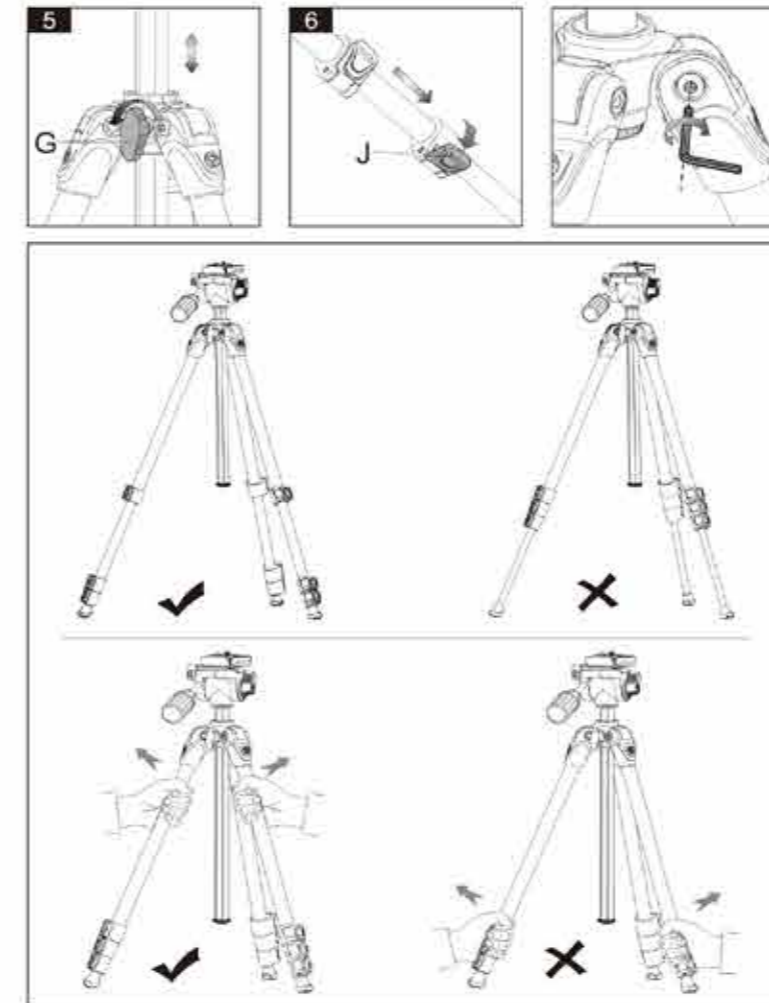
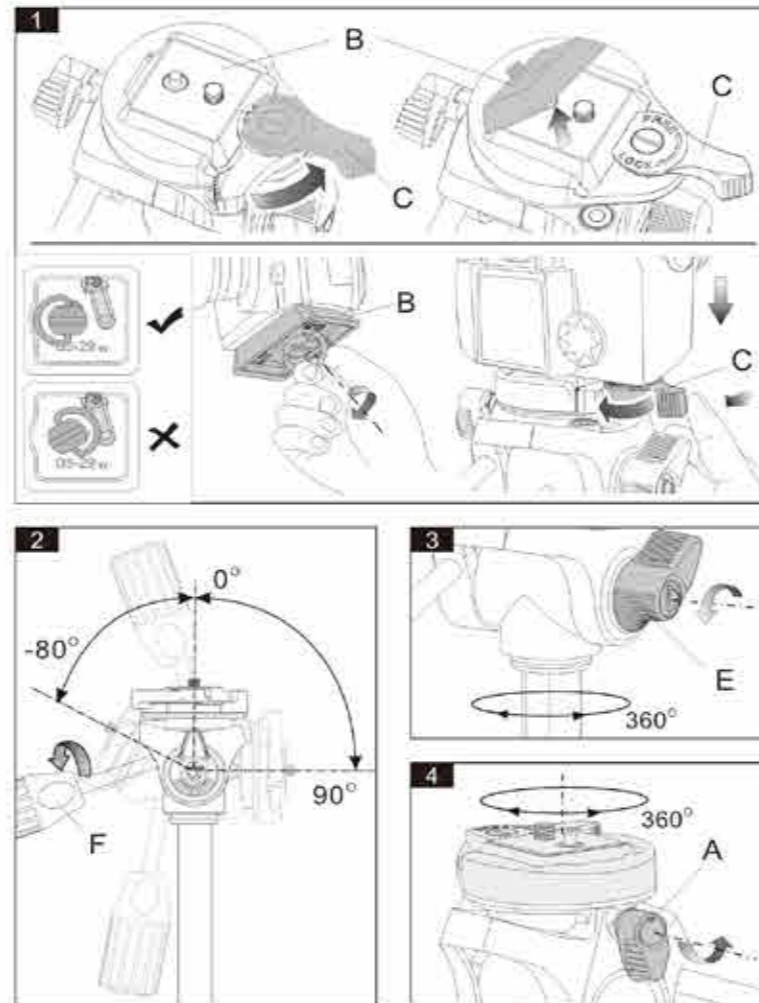
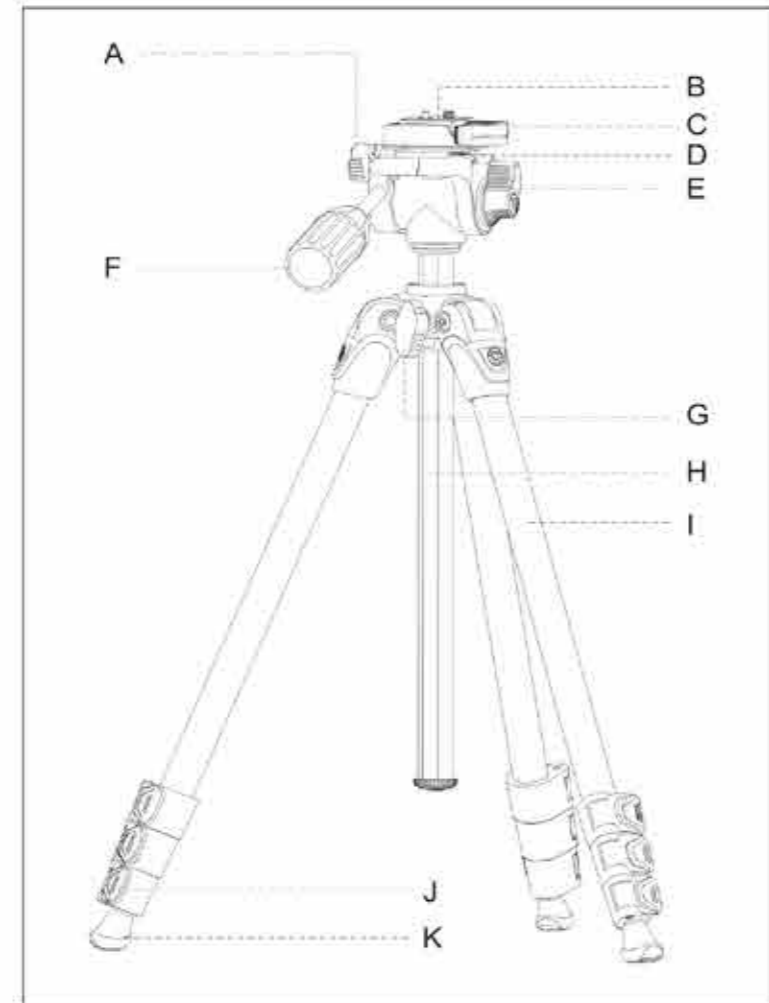
7-1. Loosen knob "E" in a counter clockwise direction and turn the panhead right at 90 degree.

7-2. Loosen panoramic knob "A" in a counter clockwise direction and turn to left at 90 degree.

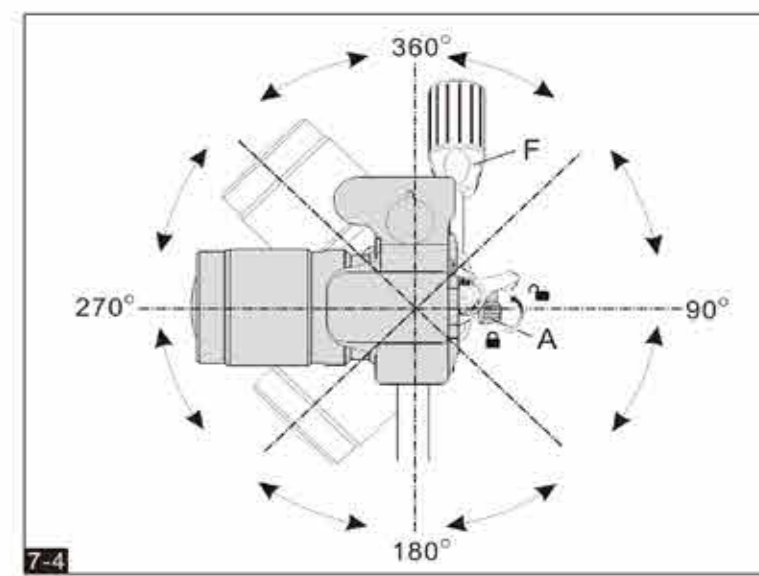
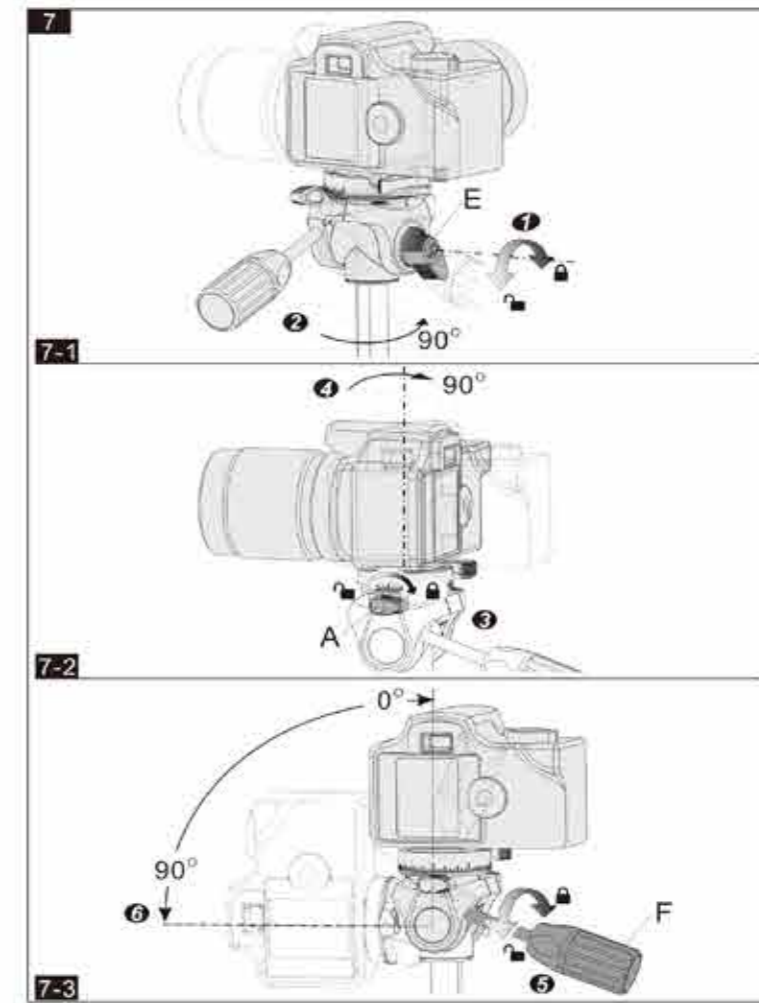
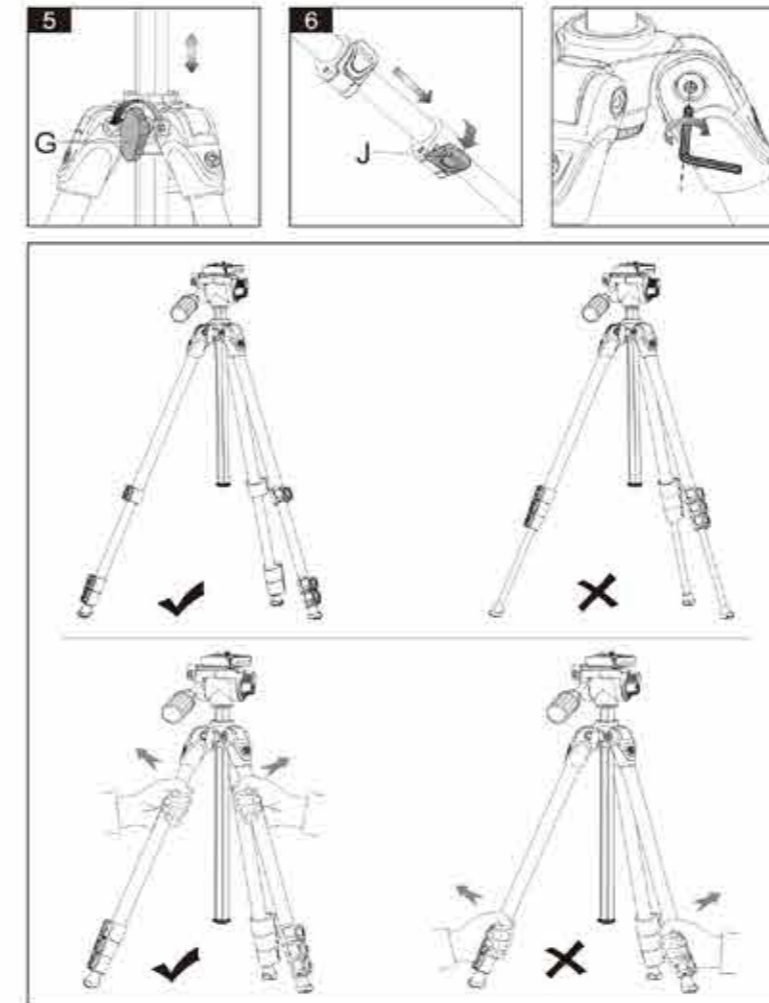
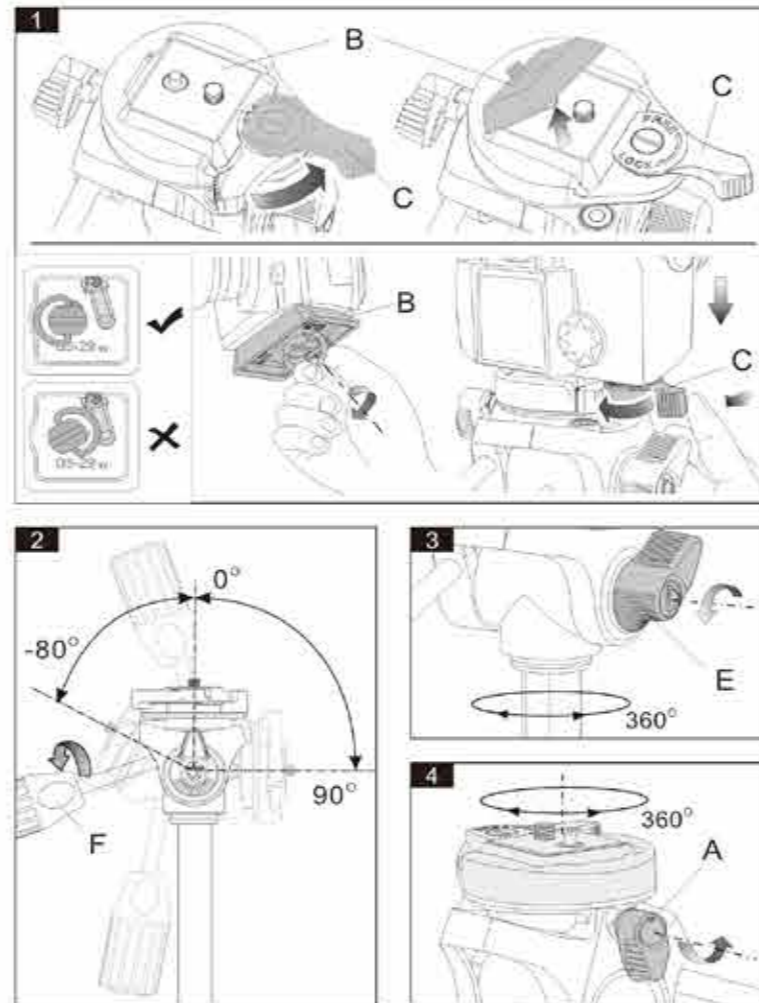
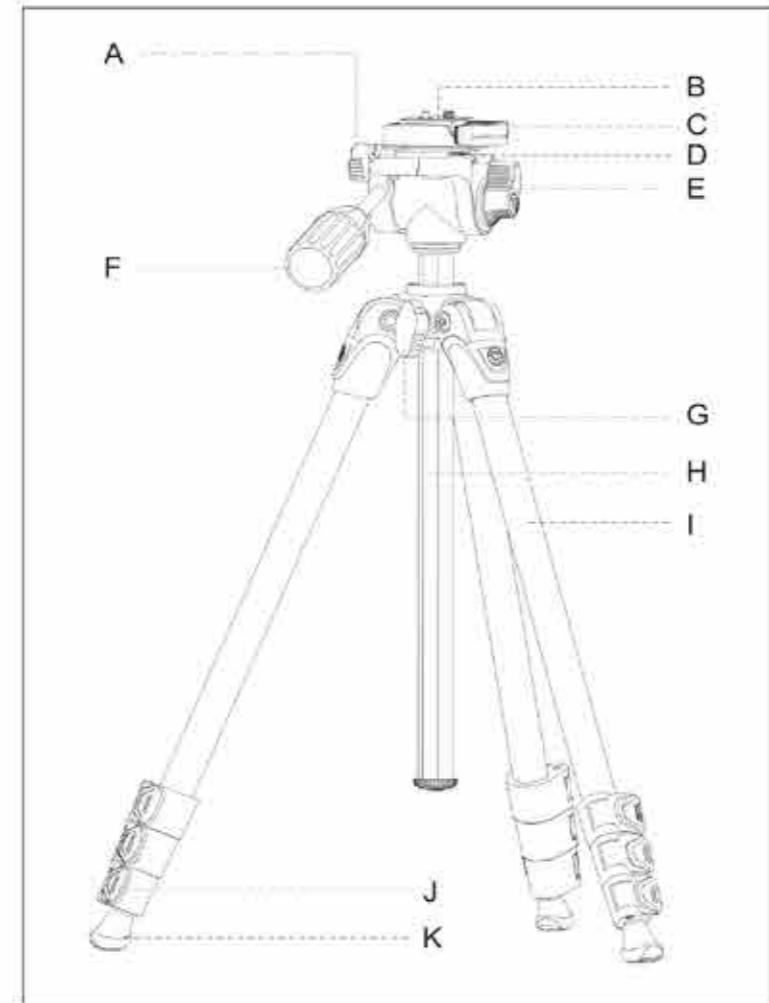
7-3. Loosen handle "F" in a counter clockwise direction to the angle of +90 degree for the portrait photography.

*ATTENTION: For protection of your camera and equipment. To prevent damage to the tripod and your equipment, do not use this tripod in hazardous weather conditions or on unstable ground. VANGUARD is not responsible for any damages your camera or equipment incur.

Espod CX AP Series
 Aluminum Alloy Tripod with Pan Head
 Trépied en alliage d'aluminium avec tête panoramique



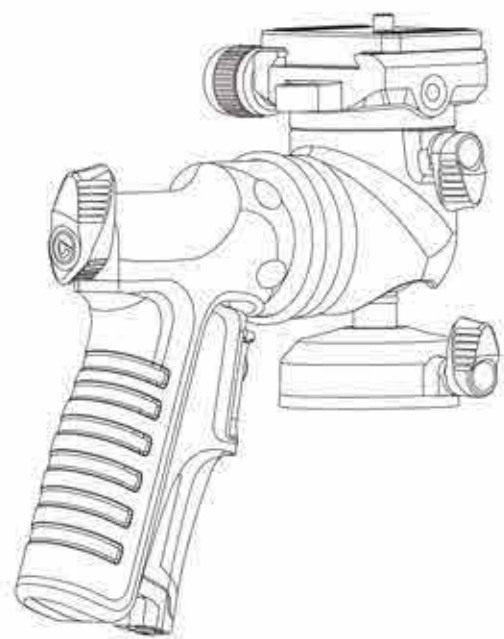
Espod CX AP Series
 Aluminum Alloy Tripod with Pan Head
 Trépied en alliage d'aluminium avec tête panoramique



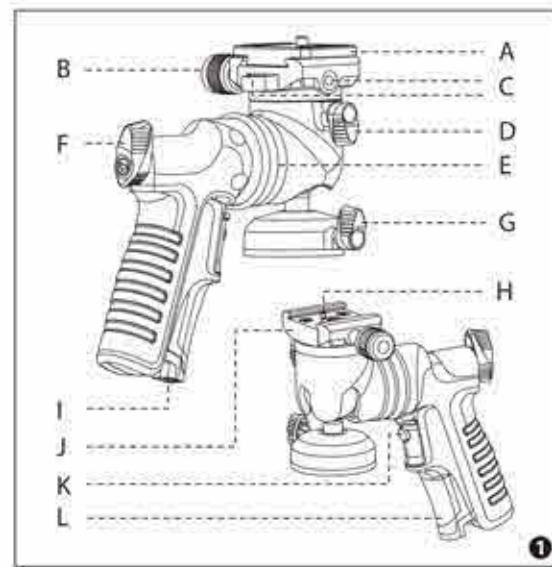


GH-300T

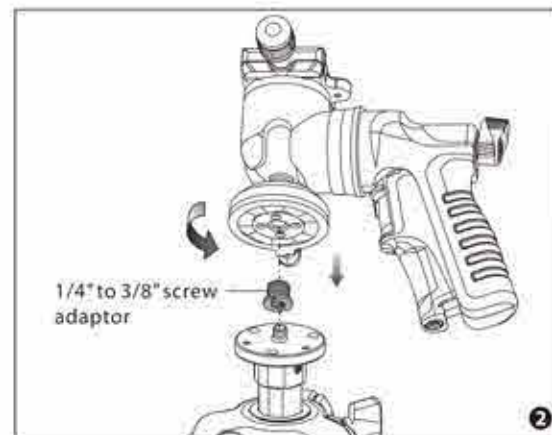
User Manual



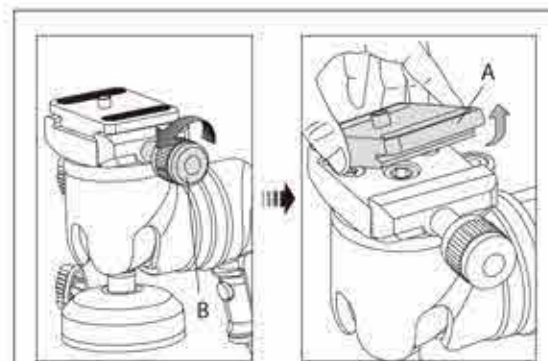
1



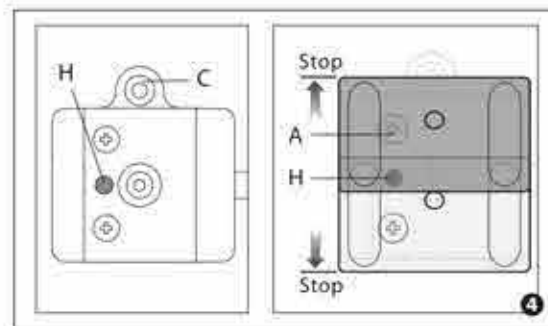
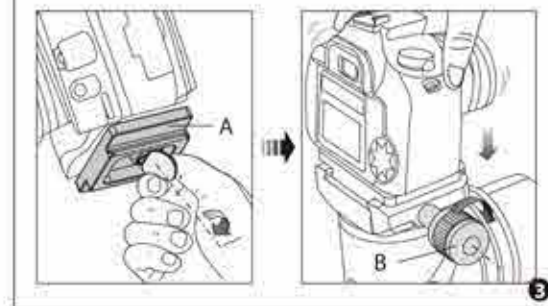
1



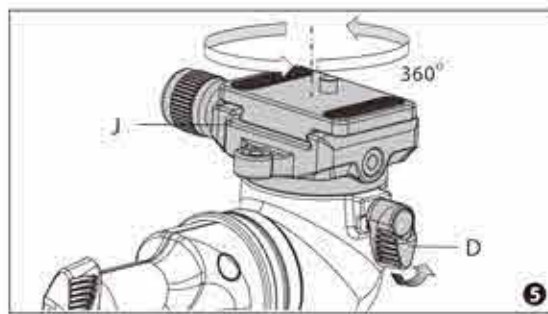
2



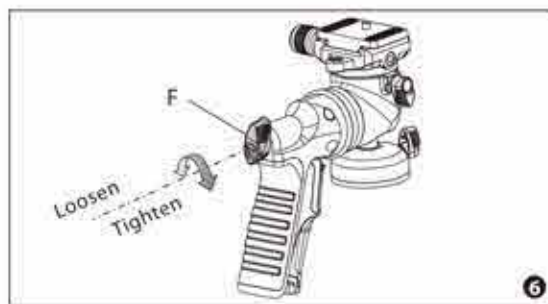
3



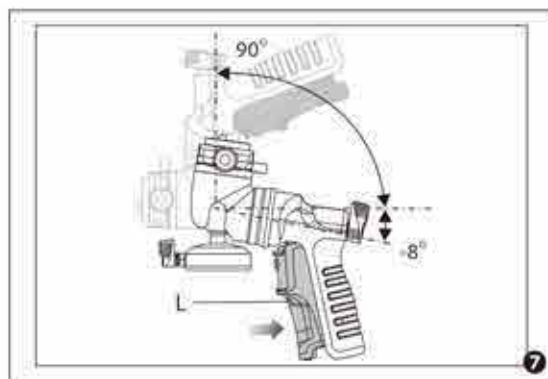
4



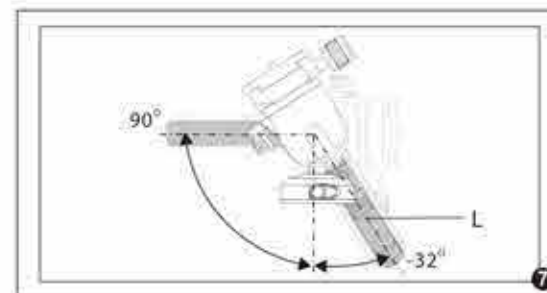
5



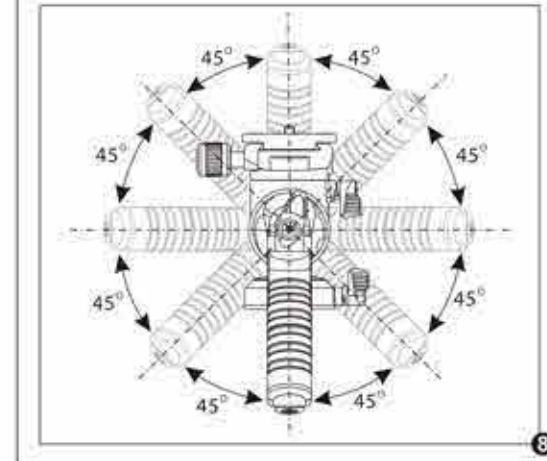
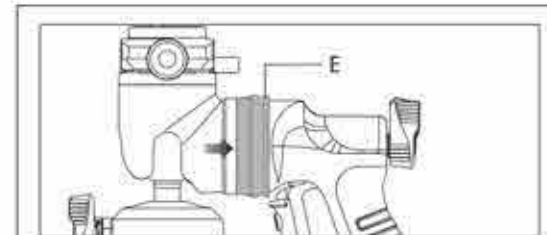
6



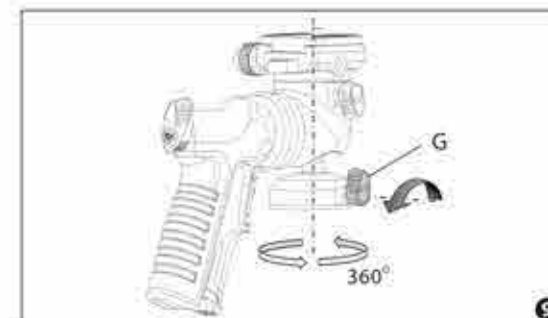
7



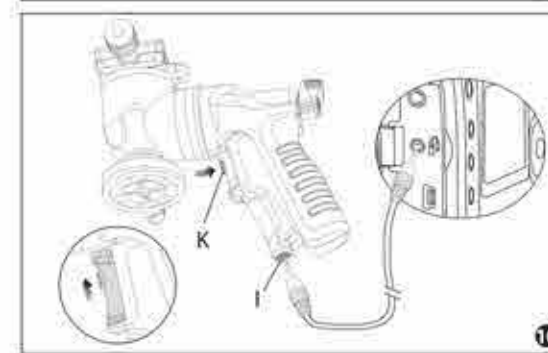
8



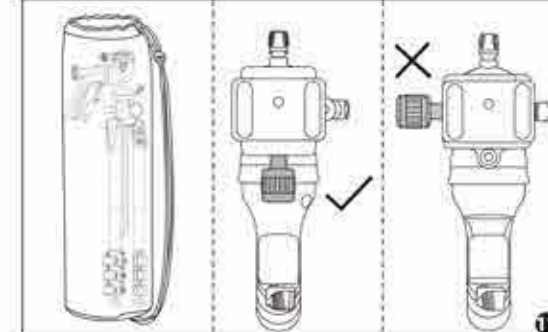
8



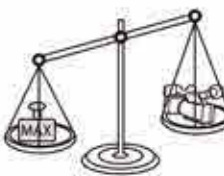
9



10



11



7